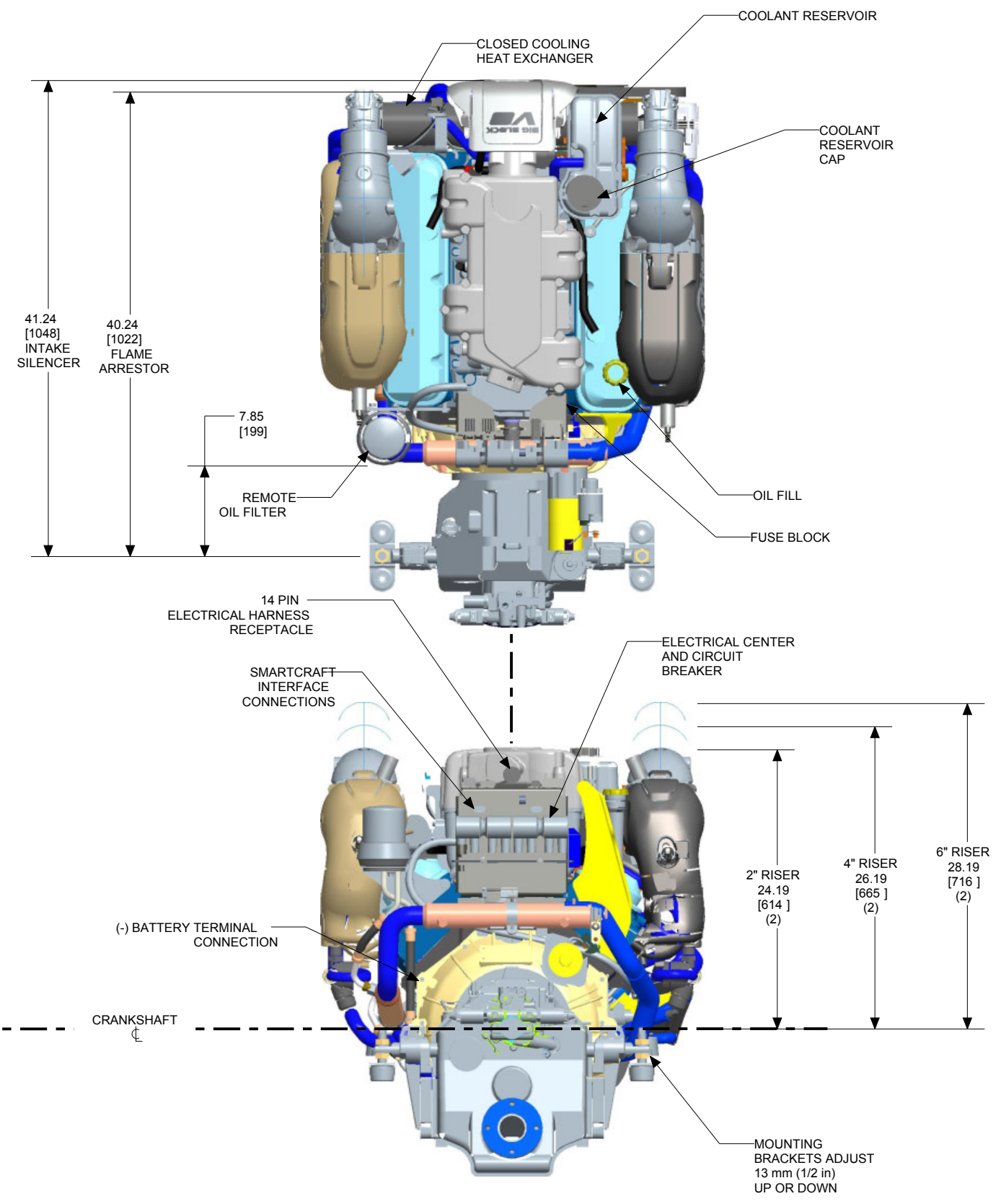
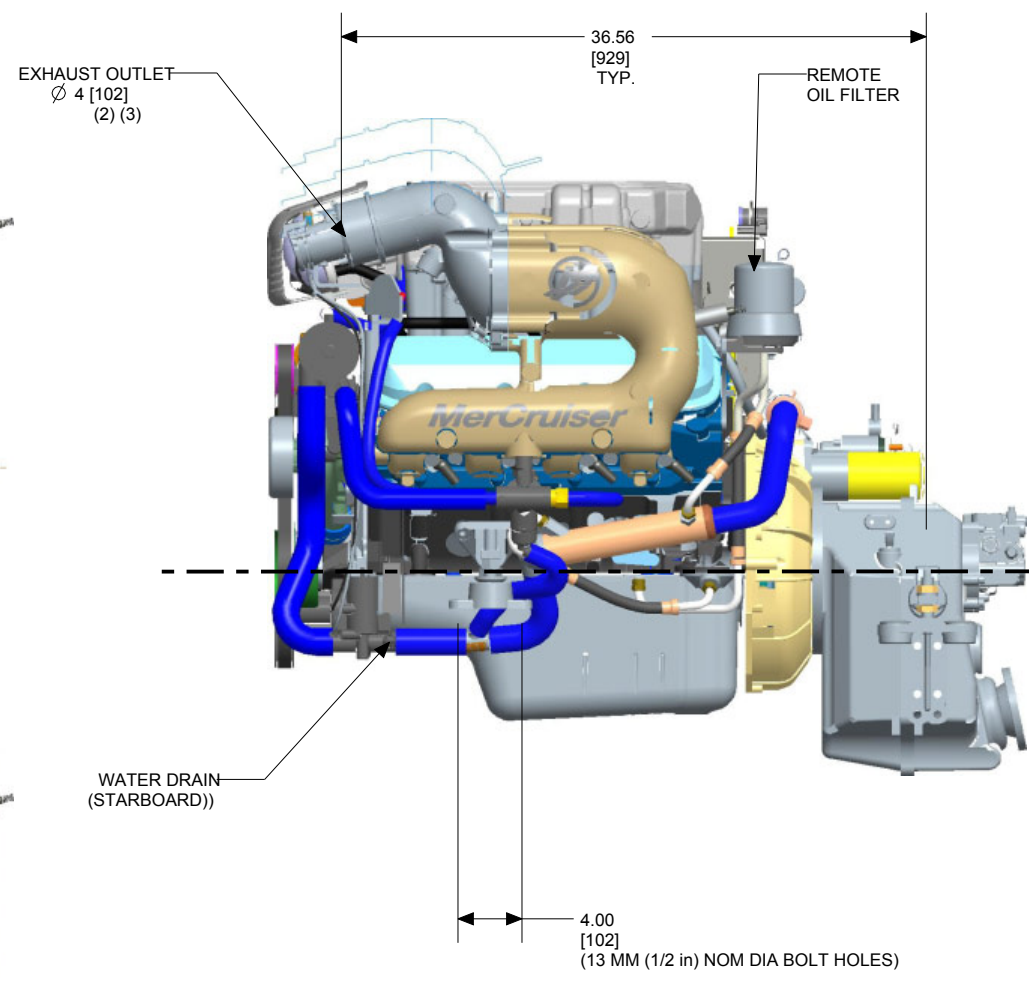
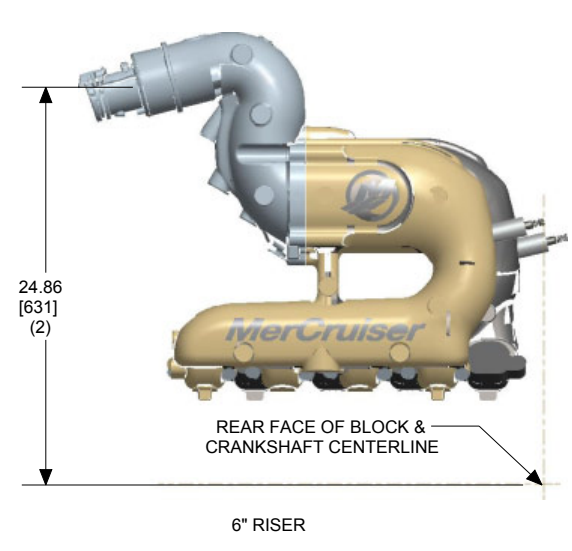
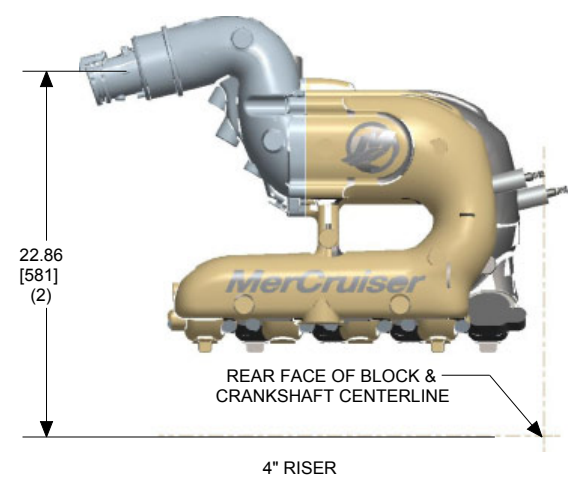
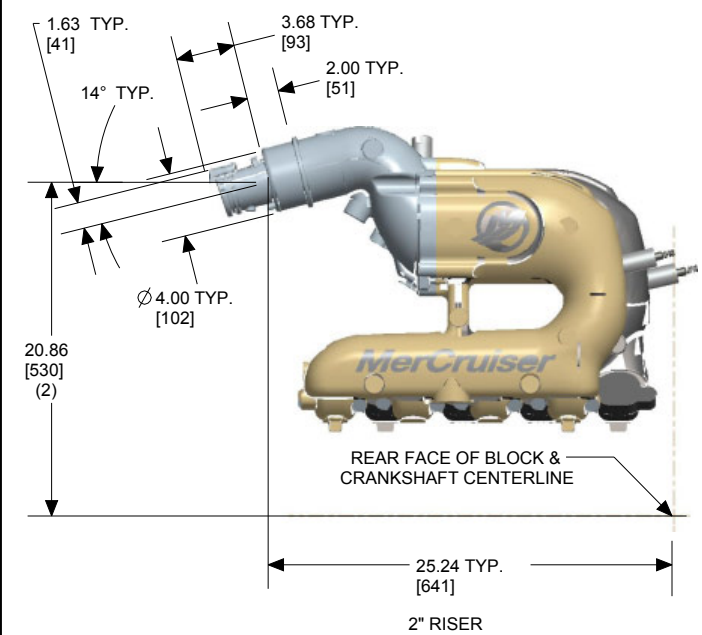


NOTES:
 (1) REFER TO THE APPLICATION MANUAL FOR COMPLETE PRODUCT INSTALLATION REQUIREMENTS.
 (2) DIMENSIONS REQUIRE A MINIMUM OF 1/2 in. (13 mm) CLEARANCE FOR MOTOR MOUNT DEFLECTION.
 (3) DIMENSIONS APPLY TO POINT OF INTERSECTION OF OUTPUT SHAFT CENTERLINE AND OUTPUT FLANGE FACE.
 (4) DIMENSIONS TO SEA WATER PUMP INLET
 (5) BASE OF MOUNT TO BE PARALLEL TO STRINGER. MOUNT SHOWN AT CENTER OF ADJUSTMENT.

8M0071384 8.2MAG EC STAGE 2 ZF 63IV TRANSMISSION	REVISION A	UNITS in (mm)	SCALE 1" = 1' 25.4 mm = 305 mm	SHEETS 1 of 2	MERCURY MerCruiser
---	----------------------	---------------------	--------------------------------------	------------------	------------------------------



NOTES:
 (1) REFER TO THE APPLICATION MANUAL FOR COMPLETE PRODUCT INSTALLATION REQUIREMENTS.
 (2) DIMENSIONS REQUIRE A MINIMUM OF 1/2 in. (13 mm) CLEARANCE FOR MOTOR MOUNT DEFLECTION.
 (3) DIMENSIONS APPLY TO POINT OF INTERSECTION OF OUTPUT SHAFT CENTERLINE AND OUTPUT FLANGE FACE.
 (4) DIMENSIONS TO SEA WATER PUMP INLET
 (5) BASE OF MOUNT TO BE PARALLEL TO STRINGER. MOUNT SHOWN AT CENTER OF ADJUSTMENT.

8M0071384 8.2MAG EC STAGE 2 ZF 63IV TRANSMISSION	REVISION	UNITS	SCALE	SHEETS	MERCURY MerCruiser
	A	in (mm)	1" = 1' 25.4 mm = 305 mm	2 OF 2	